



F 20



Capacity
20 T



Boom Height
(With Fly Jib)
21.8 M



Snatch Block
15 T Lifting



Creep Speed
1.3 kmph



Axle
Heavy Duty

SPECIFICATIONS



RATED CAPACITY

20 Tonnes at 1.5 m radius
 900 kg at 16 m radius
 Max Height 19.5 m
 SWL based on 85% stability & strength (IS 4573)



VEHICLE PERFORMANCE

Speed Max 40 kmph
 Creep Speed 1.3 kmph



DRIVE

2 Wheel Drive optional 4 Wheel Drive



ENGINE (BS IV)

Volvo - Eicher make CEV BS IV Diesel Engine, Model E494TCI - High Pressure Common Rail System (HPCR) Technology, Turbo Charged Water Cooled, ECU Control Engine Management System, Developing 74 Kw/101HP @ 2200 RPM or Equivalent Engine.



CLUTCH (HYDRAULIC)

Single, dry type friction clutch plate
 Low effort hydro pneumatic clutch



BRAKES

2WD - Service Brakes	Fully air operated brakes on front wheels, pneumatically assisted hydraulic brakes on rear wheels.
Parking	Air operated, spring actuated, fail safe brakes on front wheels. Pneumatically assisted, spring loaded, fail safe, hydraulically actuated brakes on rear wheels.
4WD - Service Brakes	Fully air operated brakes on front and rear wheels.
Parking	Air operated, spring actuated, fail safe brakes on front and rear wheels.



TYRES

8 nos.-12 x 24-20 PLY



HYDRAULIC SYSTEM

Main Pump	Tandem Hydraulic vane pump main
Control valve	Main control valve 3 spool double acting with a built in relief & auxiliary valves
Outrigger	2 Spool
Control valve	Double acting type



STEERING

Full power orbitrol with twin hydraulic double acting rams
 40° articulation on either side



TRANSMISSION

VECV make Synchromesh Gearbox.
 Auxiliary gearbox for high & low range.



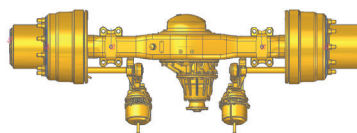
AUXILIARY GEARBOX

Specially designed AGB developing lowest creep seed & high torque



AXLES

Front	Heavy duty rigidly mounted front wheel drive axle
Rear	Mounted with semi-elliptical springs



HEAVY DUTY AXLE

Heavy duty 37.3 ton hub reduction axle for heavy load applications



ELECTRICAL SYSTEM

24V, DC



BOOM

4 parts boom, 3 parts hydraulically powered & fully synchronized, 4th part power extended & manually pinned for safety



HOIST

15T hydraulically operated with 6 falls Built in safety brakes



WHEEL BASE

4880 mm



DIMENSIONS

Overall Length	10900 mm
Overall Width	2700 mm
Overall Height	3300 mm



WHEEL TRACK

Front	1960 mm
Rear	1960 mm



OPERATING WEIGHT

Front Axle	9275 kg
Rear Axle	10200 kg
Total	19475 kg



TURNING RADIUS

7.85 m



STANDARD ACCESSORIES

- All Weather Cabin with Unrestricted Visibility
- Rear View Camera with LCD
- Equipment Monitoring System (telematics)
- Front Outriggers
- Wheel Guards
- FM Radio and Mobile Charger
- Battery Cut off Switch



OPTIONAL ACCESSORIES

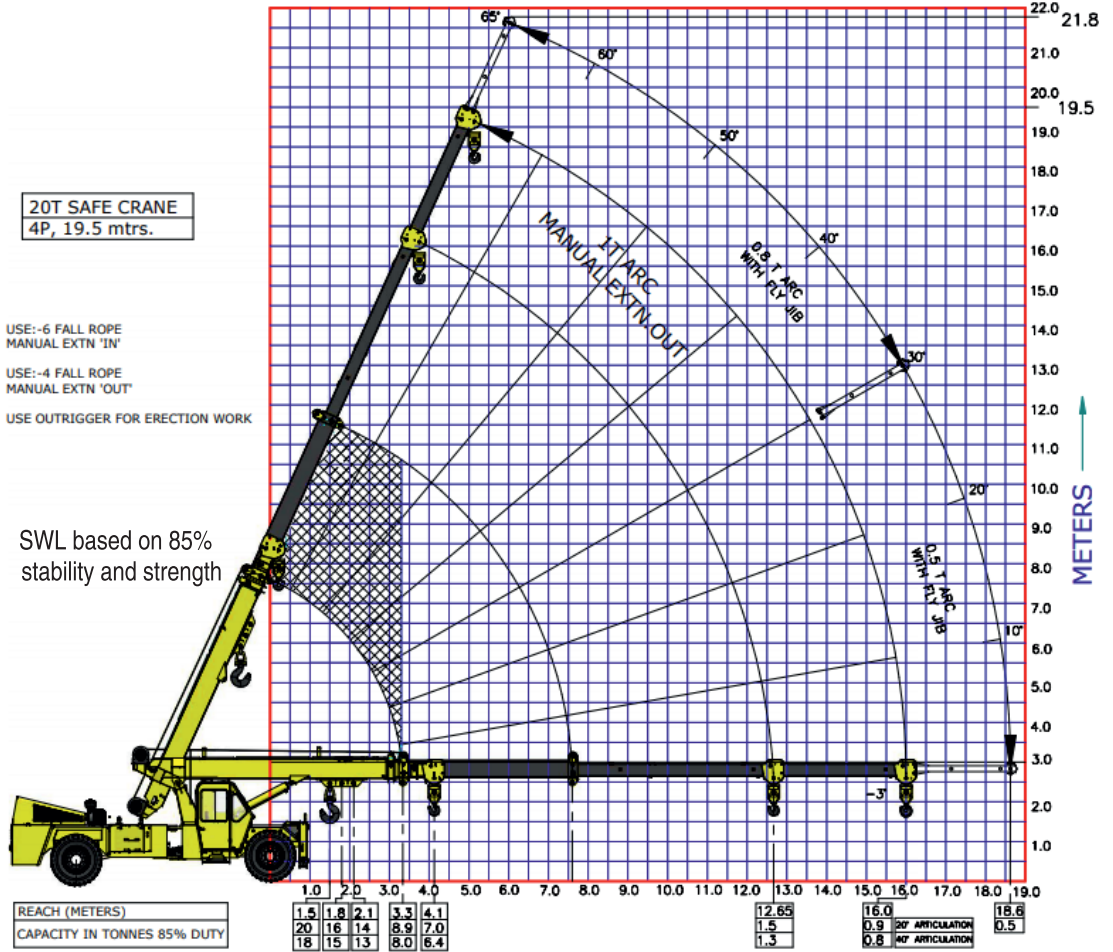
- Safe Load Indicator with Hydraulic Cut Off
- Air Conditioned Cabin, Man Carrying Basket
- Fire Extinguisher
- Fly Jib
- Beacon Light
- Pilling Application
- Spreader Bar
- Helper Seat Platform

LOAD CHART F20

20T SAFE CRANE
4P, 19.5 mtrs.

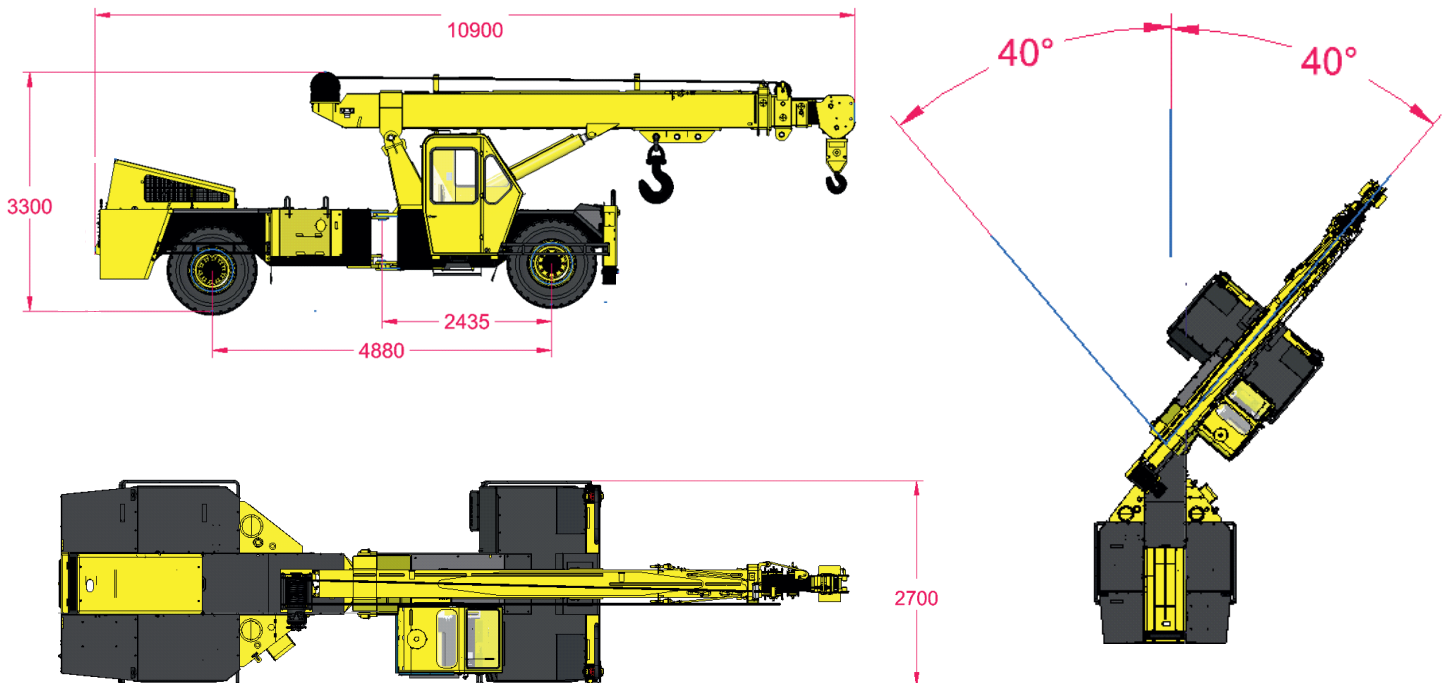
USE:-6 FALL ROPE
MANUAL EXTN 'IN'
USE:-4 FALL ROPE
MANUAL EXTN 'OUT'
USE OUTRIGGER FOR ERECTION WORK

SWL based on 85%
stability and strength



Rated loads are calculated for operation on leveled surface.

F20: DIMENSIONS (Ref.) & AREA OF OPERATION





FEATURES

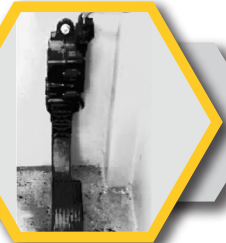


HYDRAULIC CLUTCH

Low effort hydro pneumatic clutch to reduce operator fatigue.

ELECTRONIC ACCELERATOR PEDAL

Accelerator Pedal - Low effort electronic accelerator pedal reduce operator fatigue.

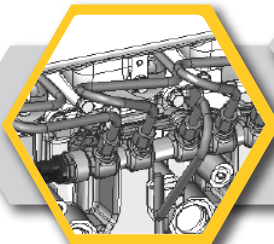
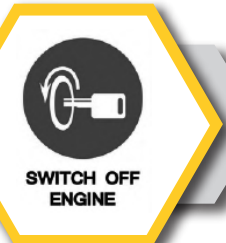


ECU EMS SYSTEM

ECU EMS – Electronic Control Unit for Engine Management System for Engine diagnosis and troubleshoot.

IGNITION ON/ OFF

Ignition key to switch off engine, no more use of stop cable to engine put off.



HPCR SYSTEM

HPCR – High Pressure Common Rail System - HPCR provide cleaner exhaust, deliver more horsepower and fuel efficiency per displacement.

ROCKER SWITCHES

Rocker Switch with more reliable and better aesthetic appearance, low operator fatigue.



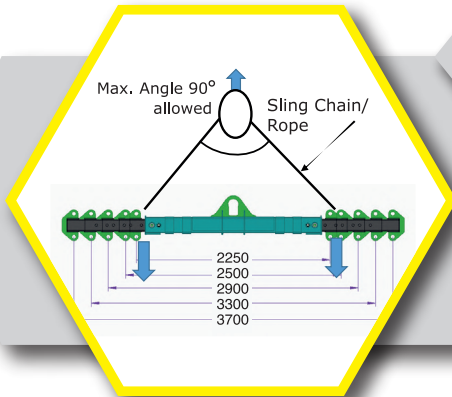
CLUSTER

Single Digital Cluster with all gauges, fault code detection for engine system, date and time display feature, less number of wiring harness.

*Photo may be change w.r.t actual in equipment



ACCESSORIES



SPREADER BAR CUM LIFTING BEAM

Spreader Bar is used to aid crane operators in picking up large and sometimes heavy loads. It increase the stability and handling of load during hoisting and traveling with load.

Lifting Capacity- 5 Tonnes to 15 Tonnes
(depending on the crane load chart)

Beam Extend Range: 2250 mm to 3700 mm

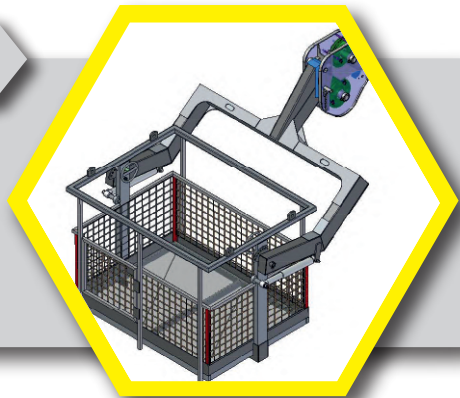
Note: Attachment view is for ref. only. Physical part may be differ from provided.

MAN CARRYING BASKET

ATTACHMENT SPECIFICATION		
ATTACHMENT WEIGHT	KG	240
MAX. CAPACITY	KG	235
NO. OF PERSONS.	N°	2
PLATFORM LENGTH	mm	1440
PLATFORM WIDTH	mm	1070

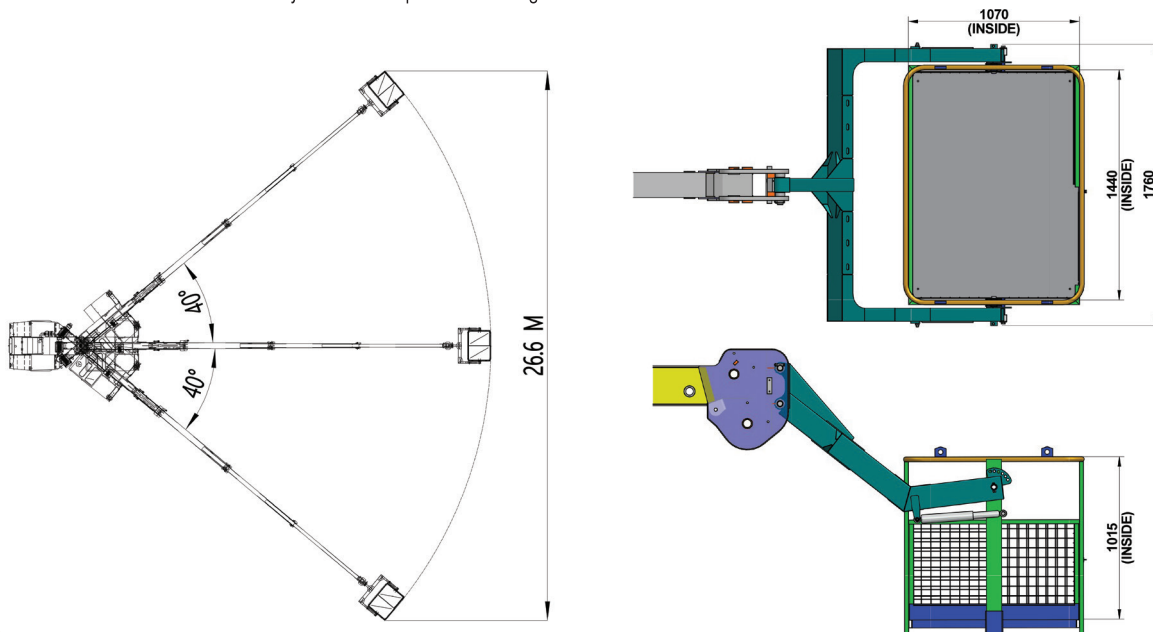
Intended use

The machine has been designed to lift people and handle small tool, max load 235 kg or 2 persons



BE CAREFUL!

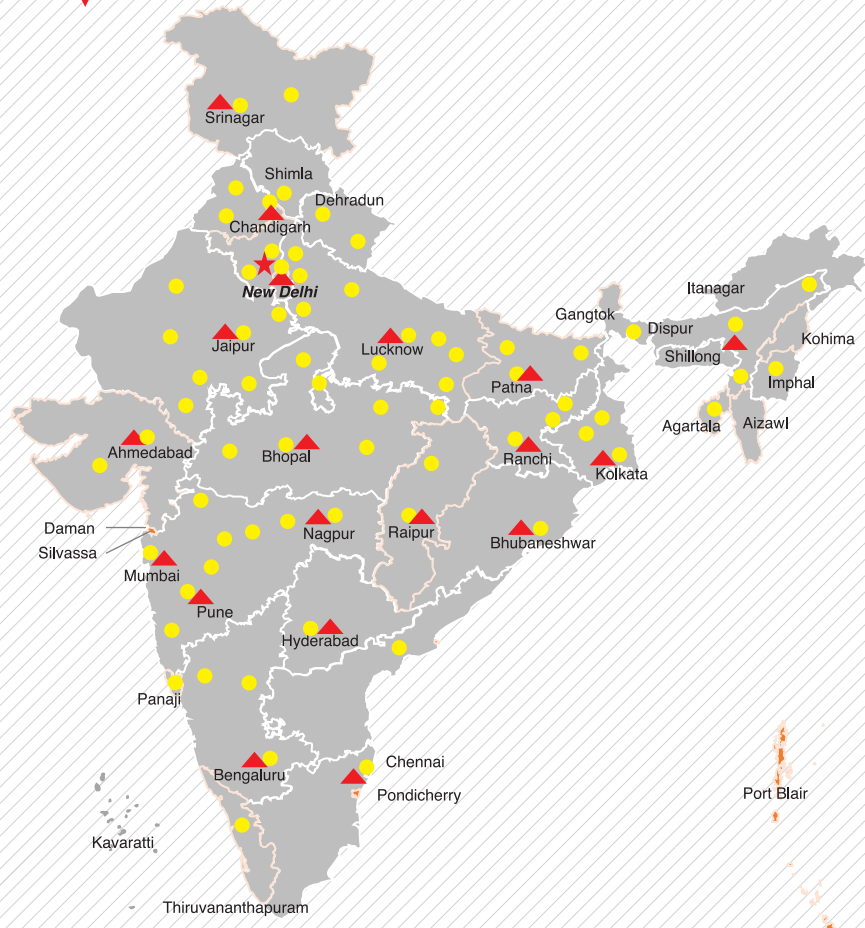
When in the firm the same machine is to be used by more than one operator, working instructions as well as the use and maintenance manual must be conveyed to all the operators in charge of the machine.



ATTACHMENT DIMENSIONS



OUR REACH



★ Head Office ▲ 19 Business Center ● 73 Dealers & 250+ branches ■ PAN INDIA - 825+ Network to support as Service and Spares



Toll Free No.:
1800- 180- 4488
(Timings: 9.30 am - 6.00 pm, Monday to Friday)

Escorts Construction Equipment: Plot No. 219, Sector- 58, Ballabhgarh- 121 004, Faridabad, Haryana (INDIA) Tel.: 0129-2306574/2306598/2306571 Fax: 0129-2306572 Website: www.escortsgroup.com

e-mail: ece.help@escorts.co.in

Authorised Dealer

• The information contained in this leaflet is intended to be of a general nature only. • We reserve the right to changed specifications without notice. • All Dimensions and weights are variable within +/-5%.